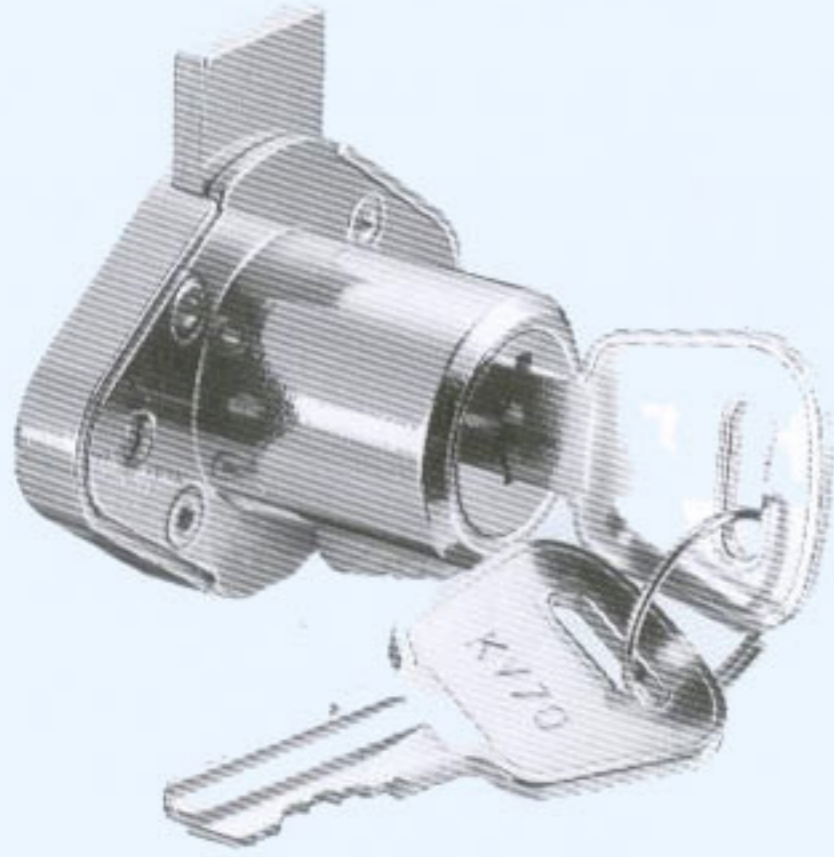


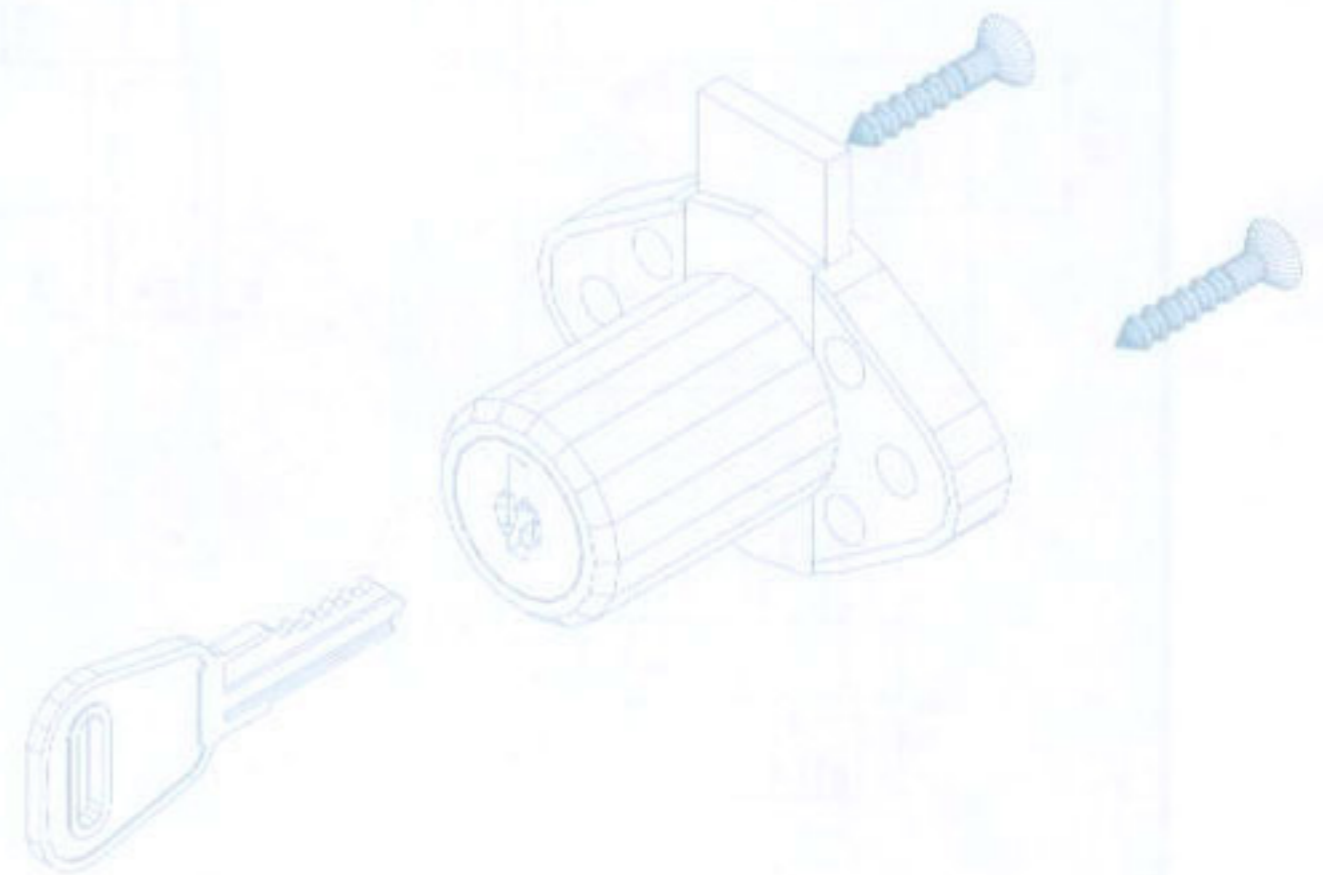
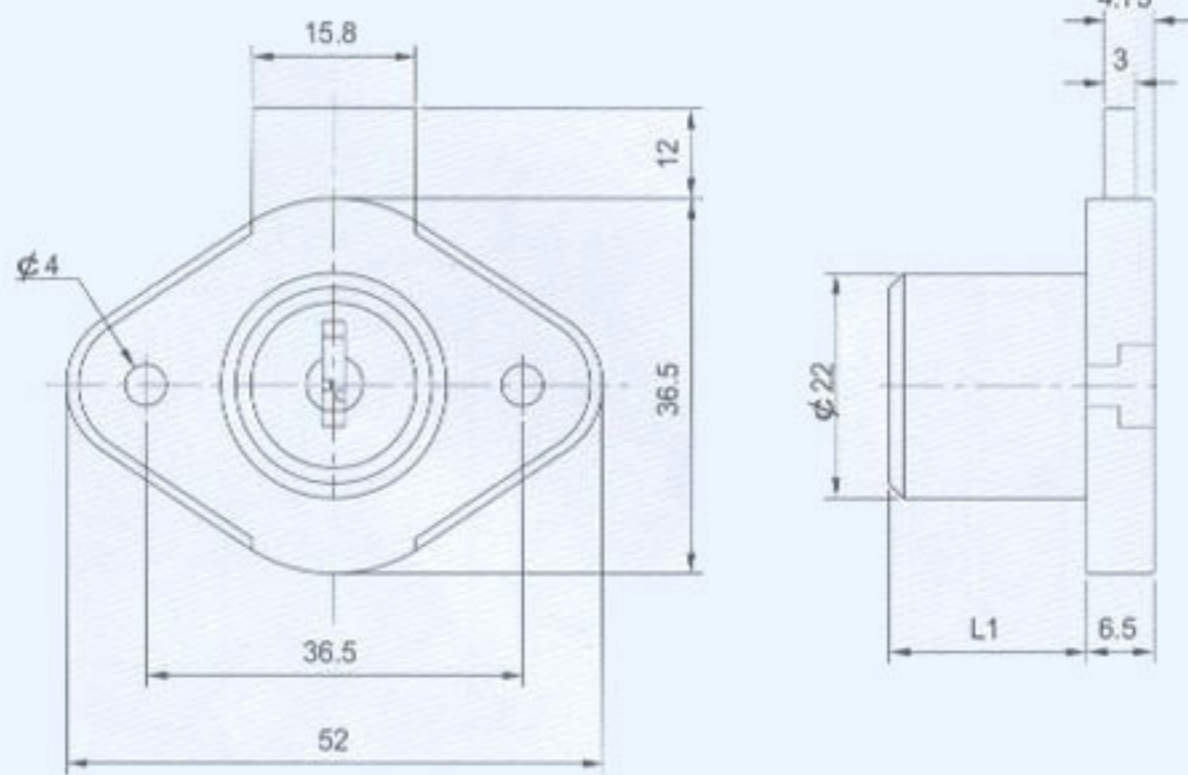
DL177 DL178



DESCRIPTION

- . Zinc alloy die cast housing cylinder.
- . Bright nickel plated standard; other finishes available upon request.
- . 5 disc tumbler mechanism.
- . Brass keys, nickel plated.
- . DL177 single bitted brass keys; DL178 reversible double-bitted brass keys
- . 180 degree rotation to unlock.
- . 3 sizes available.
- . All keyed alike or 25 combinations standard.
- . 100 combinations available.

Unit: mm



■ -INDICATES KEY-PULL

● -INDICATES NO KEY-PULL

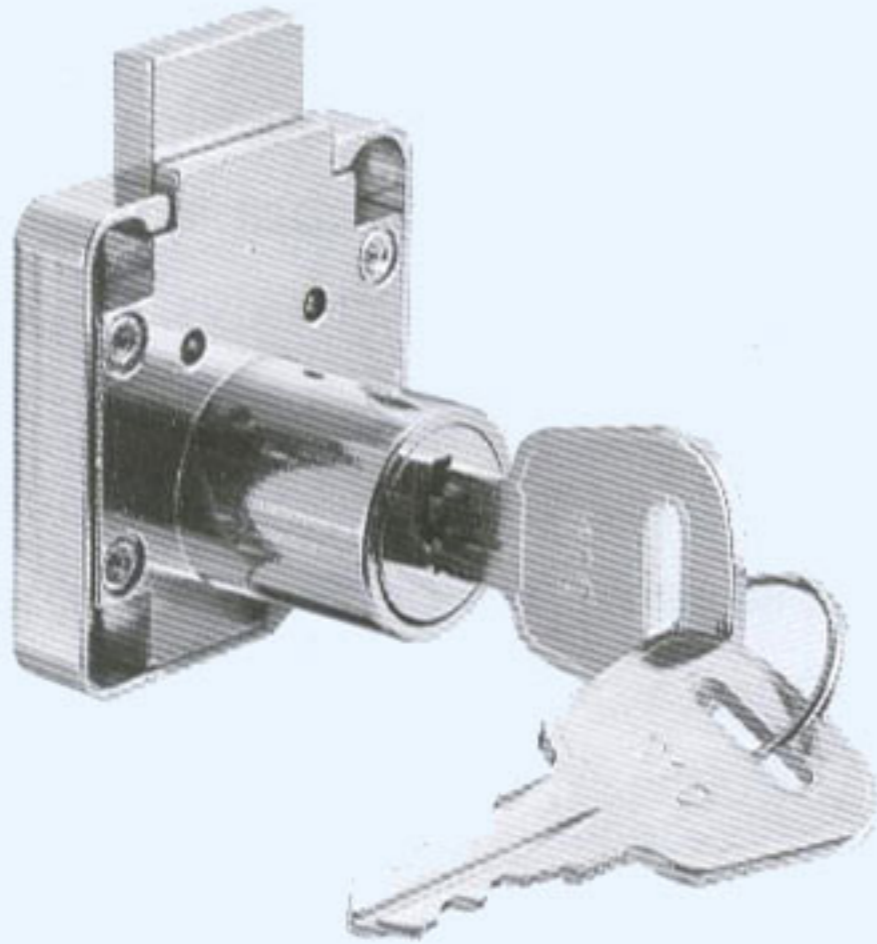


Fig.1

FigNo	LockNumber	Positions	KeyPulls	Turn
1	DL177S	2	2	180°
1	DL177M	2	2	180°
1	DL177L	2	2	180°
1	DL178S	2	2	180°
1	DL178M	2	2	180°
1	DL178L	2	2	180°

Sizes	L1
S	19
M	22.2
L	28.5

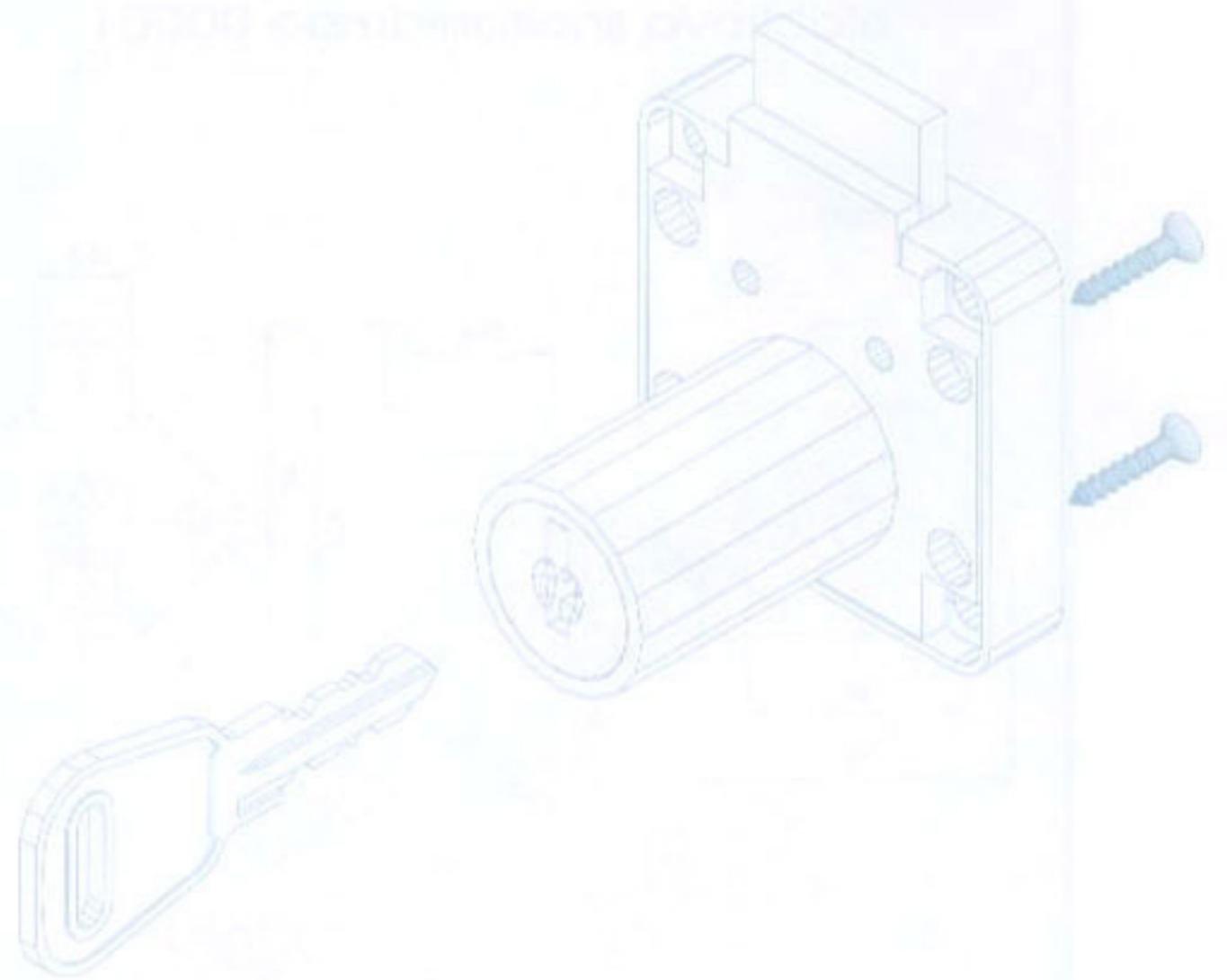
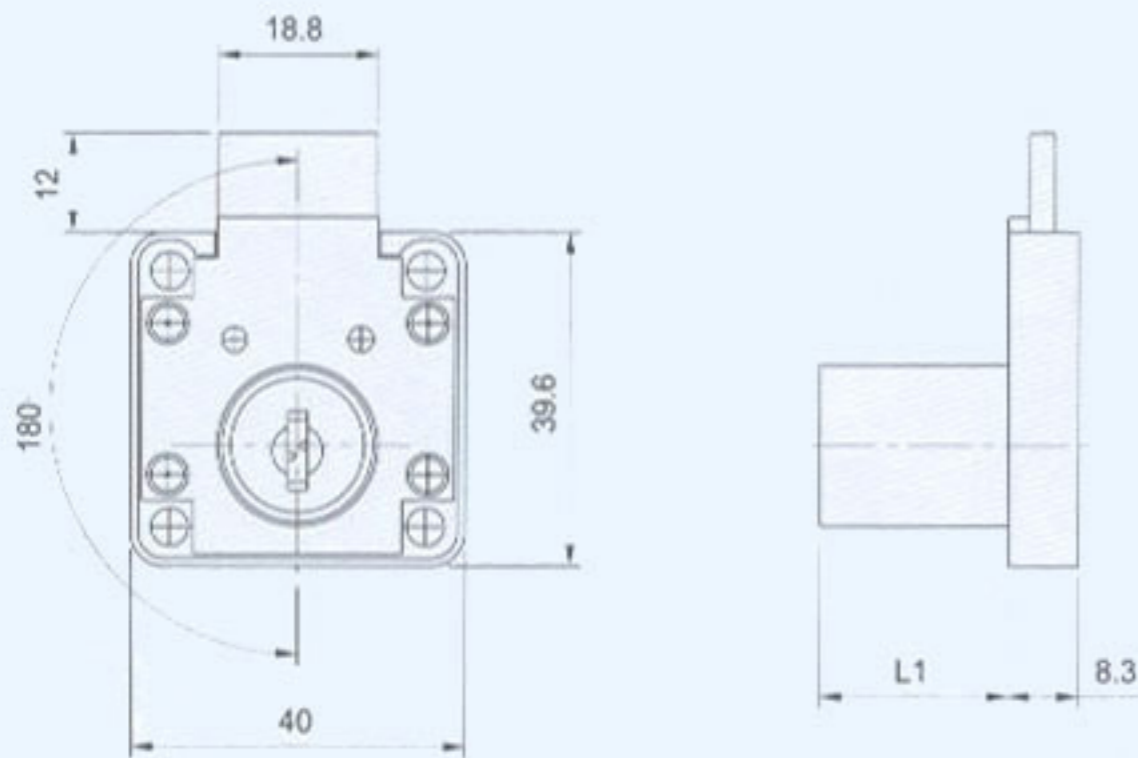
DL517 DL518



DESCRIPTION

- . Zinc alloy die cast housing and cylinder.
- . Bright chrome plated standard; other finishes available upon request.
- . 5 disc tumbler mechanism.
- . Brass keys, nickel plated.
- . DL517 single bitted brass keys; DL518 reversible double-bitted brass keys
- . 180 degree rotation to unlock.
- . 3 sizes available.
- . All keyed alike or 25 combinations standard.
- . 100 combinations available.

Unit: mm



■ -INDICATES KEY-PULL

● -INDICATES NO KEY-PULL

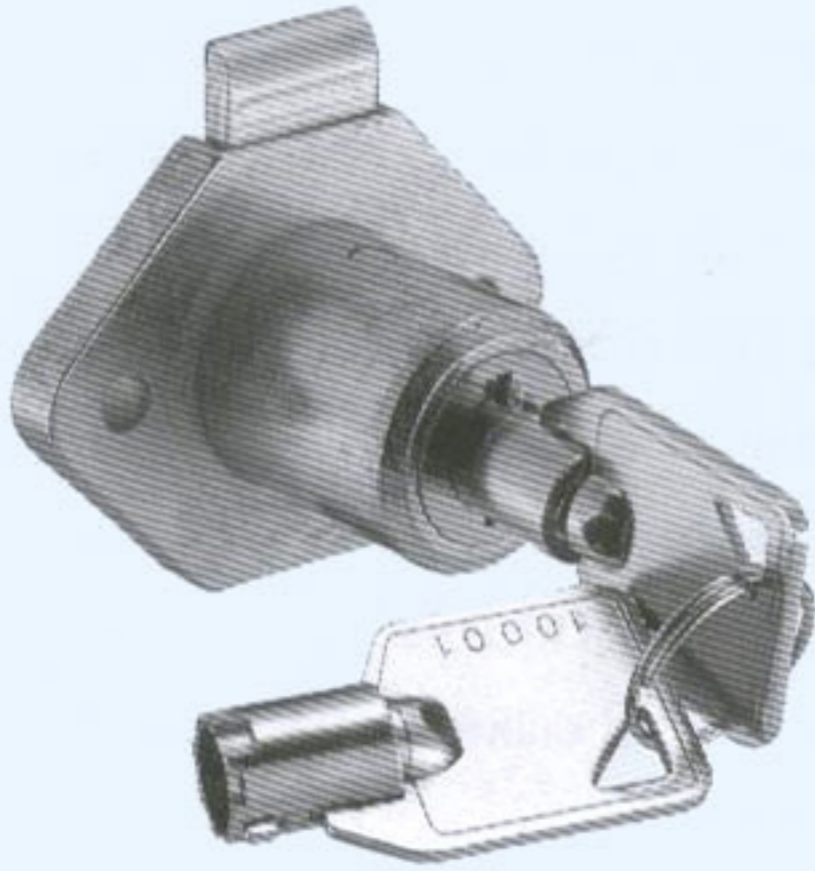


Fig.1

FigNo	LockNumber	Positions	KeyPulls	Turn
1	DL517S	2	2	180°
1	DL517M	2	2	180°
1	DL517L	2	2	180°
1	DL518S	2	2	180°
1	DL518M	2	2	180°
1	DL518L	2	2	180°

Sizes	L1
S	19
M	22.2
L	28.5

DL870



DESCRIPTION

- . Zinc alloy die cast housing cylinder.
- . Zinc plated standard; other finishes available upon request.
- . 7 pin tumbler mechanism.
- . Steel made tubular keys, nickel plated
- . Key withdrawals in both positions only.
- . 180 degree rotation to unlock.
- . All keyed alike or one combination per 100pcs standard.
- . 10000 combinations available.

Unit: mm

